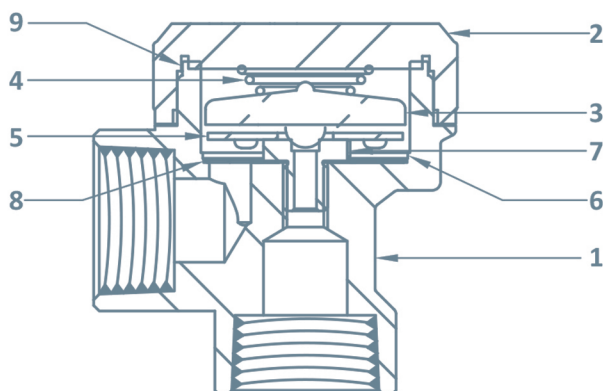


### Limiting Conditions

Body design conditions	PN16
Maximum allowable pressure (PMA)	16 bar g @ 120 °C
Maximum allowable temperature (TMA)	250 °C @ 7 bar g
Maximum operating pressure (PMO)	13 bar g
Maximum operating temperature (TMO)	250 °C
Cold hydraulic test pressure	32 bar g

### Materials

NO.	Part	Material	
1	Body	Stainless Steel	304
2	Cap	Stainless Steel	304
3	Thermopod	Stainless Steel	304
4	Spring	Stainless Steel	304
5	Spacer Plate	Stainless Steel	304
6	Strainer Screen	Stainless Steel	304
7	Seat	Stainless Steel	304
8	Seat Gasket	Stainless Steel	304
9	Body Gasket	PTFE	-



### Description

The SAV16 is a thermostatic air vent manufactured in stainless steel. It is corrosion resistant and easily maintainable.

### Fluids handled

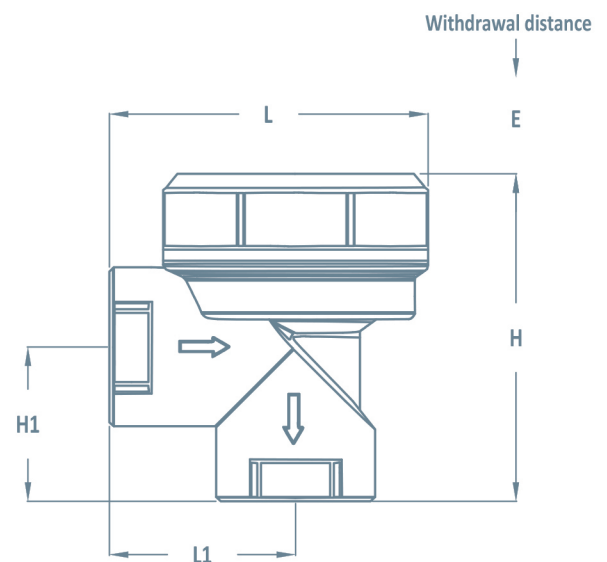
Saturated steam  
Superheated steam  
Condensate

### Sizes and connections

Screwed - BSP 1/2"

### Dimensions and weights (mm and kg)

Size (DN).	L	L1	H	H1	E	Weight
15	66	39	66	30	50	0.6



### Spare Parts

Description	Part NO.
Thermopod assembly kit	3
Seat assembly kit	7,8
Gasket assembly kit	8,9

### Safety information, installation and maintenance

The SAV16 air vent should be positioned at the highest point of the main line or plant where the air collects. The outlet should be piped to a safe place.

The SAV16 air vent is designed for installation with the thermopod in a horizontal line as the inlet and outlet at the bottom.

\*For full details see the Installation and Maintenance Instructions, supplied with the product.