

## Description

The SCV40 is a wafer-pattern non-return valve, manufactured from Stainless Steel. The design permits flow only in one direction and prevents flow in the reverse direction.

## Fluids handled

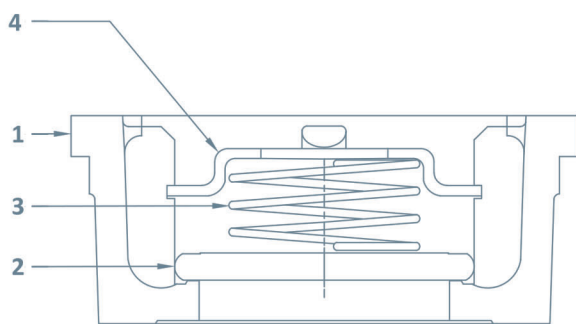
Water service  
Saturated steam  
Thermal oil  
Liquids service  
Gas service

## Limiting Conditions

Body design conditions	PN40
Maximum allowable pressure (PMA)	40 bar g @ 100 °C
Maximum allowable temperature (TMA)	300 °C @ 37 bar g
Maximum operating pressure (PMO)	40 bar g
Maximum operating temperature (TMO)	300 °C
Cold hydraulic test pressure	60 bar g

## Materials

NO.	Part	Material	
1	Body	Stainless Steel	304
2	Disk	Stainless Steel	304
3	Spring	Stainless Steel	304
4	Segment	Stainless Steel	304

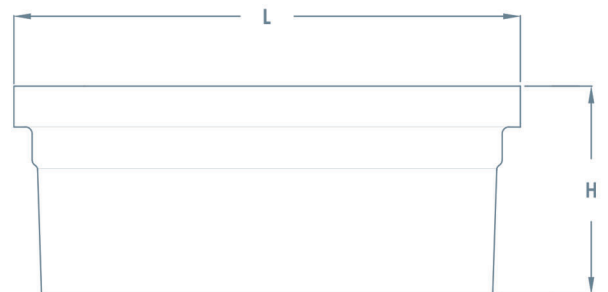


## Sizes and connections

Wafer-pattern (Between flanges)      DN15 to DN200

## Dimensions and weights (mm and kg)

Size (DN)	L	H	Weight
15	40	16	0.10
20	47	19	0.15
25	56	22	0.20
32	72	28	0.30
40	82	31.5	0.40
50	95	40	0.55
65	115	46	0.80
80	132	50	1.2
100	152	60	1.5
125	95	40	6.1
150	115	46	7.9
200	132	50	22.35



## Safety information, installation and maintenance

The flow direction must correspond to the flow direction arrow on the product.

A minimum pressure is required for opening. If this minimum pressure is not reached, the closing spring can be dismantled. Valves without closing spring shall ONLY be installed in vertical pipes with upward flow.

## Spare Parts

Description	Part NO.
Disk assembly kit	2
Spring assembly kit	3