



Description

The SSG16 View Glass is a range of single and double window view glasses available in SG iron screwed connections.

Fluids handled

Condensate
Liquid service

Sizes and connections

Screwed – BSP 1/2" to 1"

Dimensions and weights (mm and kg)

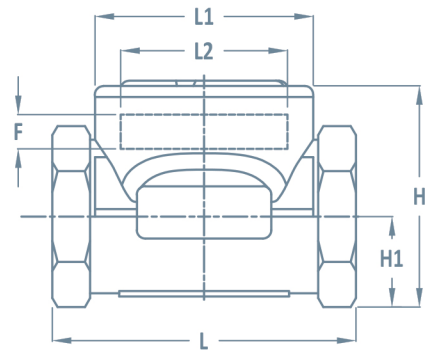
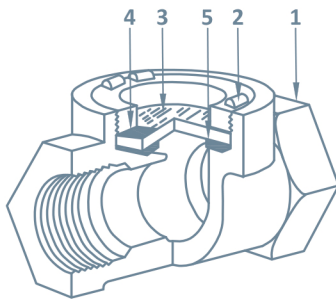
Size (DN)	L	L1	L2	H	H1	F	Weight
15	89	64	50	52	18	10	0.8
20	89	64	50	53	18	10	0.8
25	89	64	50	62	24	10	1

Limiting Conditions

Body design conditions	PN16
Maximum allowable pressure (PMA)	16 bar g @ 100 °C
Maximum allowable temperature (TMA)	250 °C @ 13 bar g
Maximum operating pressure (PMO)	13 bar g
Maximum operating temperature (TMO)	220 °C
Cold hydraulic test pressure	26 bar g

Materials

NO.	Part	Material	
1	Body	SG iron	GGG 40
2	Bazel	Brass	-
3	Glass	Toughened glass	-
4	Top gasket	Exfoliated graphite	-
5	Bottom gasket	Exfoliated graphite	-



Spare Parts

Description	Part NO.
Bazel (Brass Ring) assembly kit	2
Glass and gasket assembly kit	3,4,5

Safety information, installation and maintenance

The SSG16 View glasses can be fitted in either horizontal or vertical line on the outlet side of a steam trap. Where the trap is a blast discharge type e.g. thermodynamic, the view glass must be fitted at least 1m from the trap. This is to ensure that the glass is not subjected to thermal shock or pressure.

*For full details see the Installation and Maintenance Instructions, supplied with the product.