



Description

The STD63 Thermodynamic steam trap, with in-built strainer and full stainless steel construction, is the best suited trap for header and mainline drains.

Fluids handled

Saturated steam
Superheated steam
Condensate

Sizes and connections

Screwed - BSP 1/2" to 1"

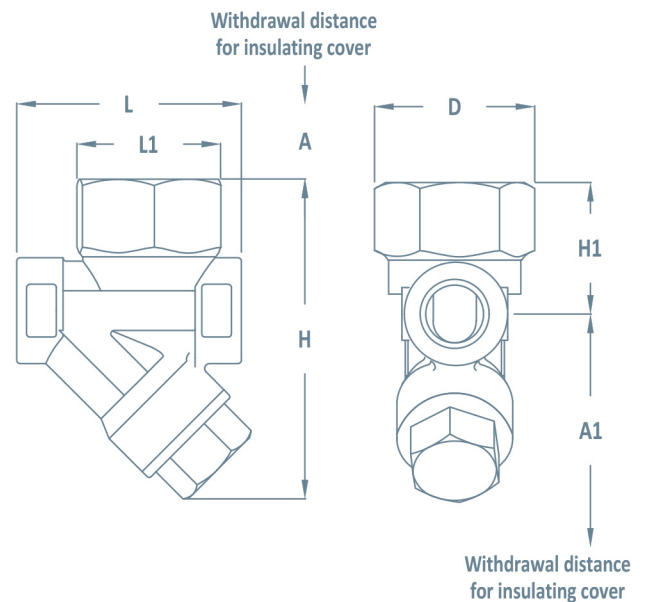
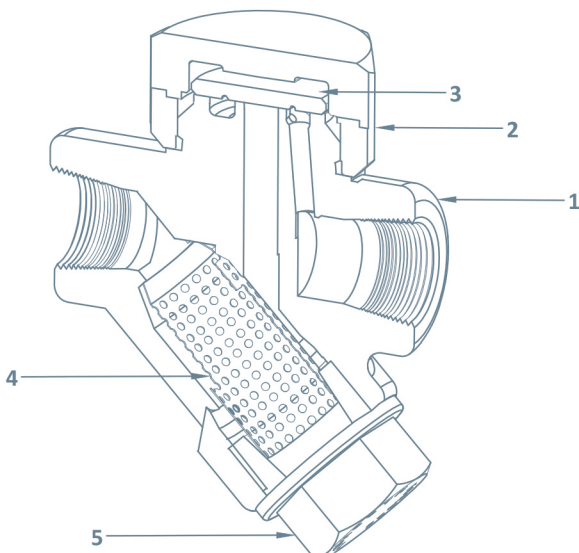
Dimensions and weights (mm and kg)

Size (DN)	L	L1	H	H1	D	A	A1	Weight
15	78	44	99	42	50	41	85	0.8
20	78	44	99	42	50	41	85	0.8
25	92	44	111	49	50	51	97	0.8

Limiting Conditions

Body design conditions	PN63
Maximum allowable pressure (PMA)	63 bar g @ 120 °C
Maximum allowable temperature (TMA)	400 °C @ 42 bar g
Maximum operating pressure (PMO)	42 bar g
Maximum operating temperature (TMO)	400 °C
Minimum operating differential pressure for satisfactory operations	0.25 bar g
Cold hydraulic test pressure	95 bar g
PMOB : Maximum back pressure should not exceed %80 of the inlet pressure under any conditions of operation otherwise the trap may not shut-off.	

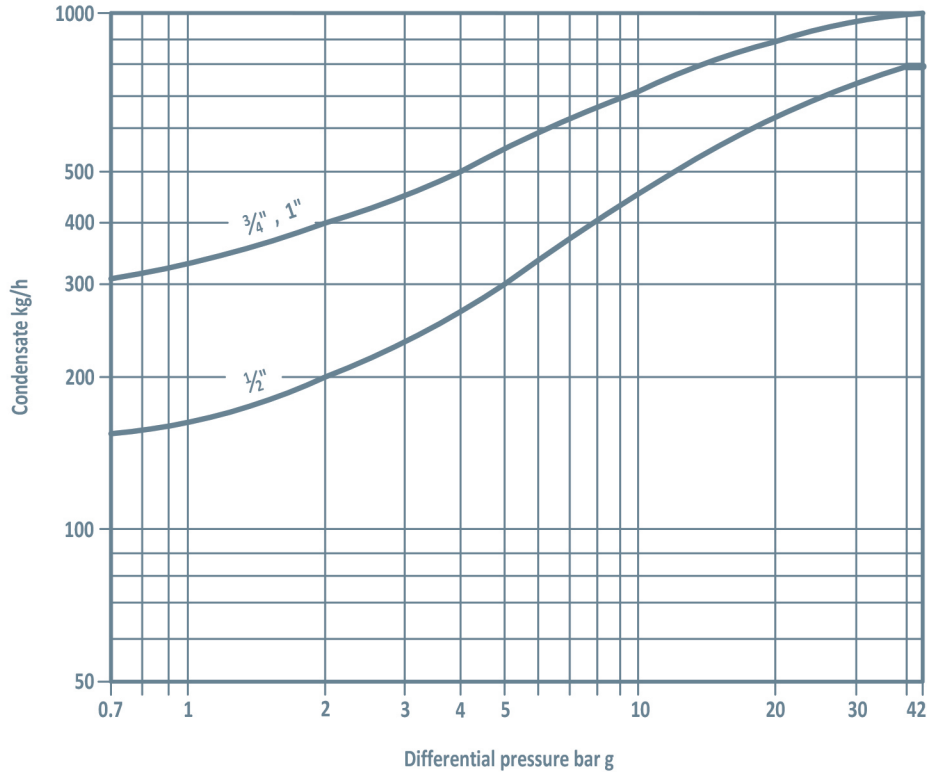
* For optimum product performance the PMO should not exceed 42 bar g.



Materials

NO.	Part	Material	
1	Body	Stainless Steel	420
2	Cap	Stainless Steel	304
3	Disk	Stainless Steel	420
4	Strainer Screen	Stainless Steel	304
5	Strainer Cap	Stainless Steel	304

Steam Capacity Chart



Spare Parts

Description	Part NO.
Disk assembly kit	3
Screen assembly kit	4

Safety information, installation and maintenance

The STD63 is designed for installation in a horizontal plane with the cap at the top.

It is recommended that a non-return valve is fitted when discharging condensate into return lines where backpressure is experienced. It is also recommended that a diffuser is fitted when discharging to atmosphere.

For easy maintenance, consideration should be given to fitting isolation valves upstream and downstream of the steam trap.

How to use the chart

Suppose that a trap under steam main header is required to discharge 200 kg/hr of condensate, while differential pressure is 8 bar g. Find the point at which 200 kg/hr of condensate crosses the vertical 8 bar g differential pressure line. The first curve above the point deals with proper trap size.

*For full details see the Installation and Maintenance Instructions, supplied with the product.